

Thank you for purchasing this light fitting. Please read the instructions carefully before use to ensure safe and satisfactory operation of this product. Please retain these instructions for future reference.

Warning:

This is a Class I product and must be earthed.

Please read these instructions carefully before commencing any work.

This unit must be fitted by a competent and qualified electrician.

Install in accordance with IEE Wiring regulations and current Building Regulations.

To prevent electrocution switch off at mains supply before installing or maintaining this fitting. Ensure other persons cannot restore the electrical supply without your knowledge.

This light fitting should be connected to a fused circuit.

If replacing an existing fitting, make a careful note of the connections.

Always use the correct type and wattage bulb. Using the incorrect wattage bulb will damage the bulb and ballast.

When changing a bulb, always switch off at the mains and allow the old bulb to cool down before handling.

Dispose of used bulbs carefully and responsibly.

This product is not suitable for dimming.

Waste electrical products should not be disposed of with household waste. Please recycle where facilities exist.

Check with your local authority or retailer for recycling advice.

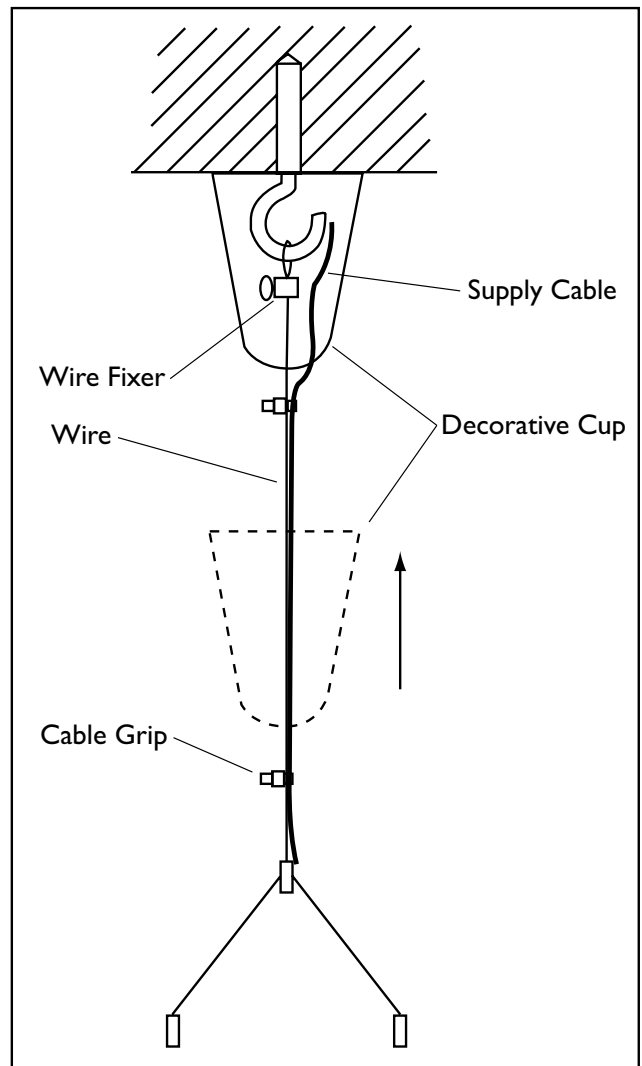
These products should not be fitted to PIR circuits or short duration timed switches. Should you wish to connect this unit to a timed system please consult the manufacturer before installation.

Installation:

Existing fittings must be completely removed before installation of a new product. Before removing the existing fitting or ceiling rose, **carefully note the position of each set of wires.**

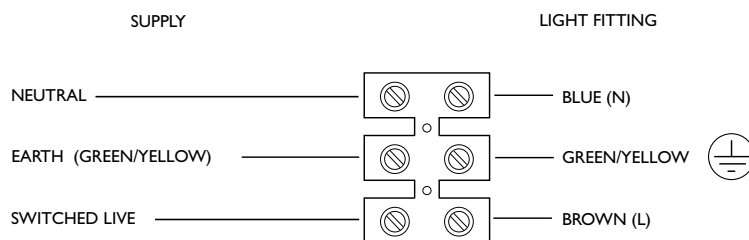
Ensure that the ceiling can support the weight of the product.

1. Drill holes 1480mm apart, and fit the supplied hooks into the ceiling using the fixings supplied. Other fixings may be required, depending upon the surface.
2. Feed the wire through the pendant nut, and then the decorative cup. Loop the steel wires over, as shown, and secure using the wire fixer.
3. Hang the loop over the hook as shown. Feed the supply cable through the decorative cup with the hole. 4. Push the decorative cups into place. Secure the supply cable using the cable grips.
5. Screw each pendant nut into position on the light fitting, you may need an assistant for this operation.
6. Remove the top of the ballast cover by undoing the screw on the side. Feed the wire through the hole at the end, ensuring that the grommet is correctly located in the hole.



Wiring:

Having correctly identified the wiring from your existing light fitting, pull the wire through the hole at the rear of the fixture connect to the connection block inside the product in the following way:



Check that.....

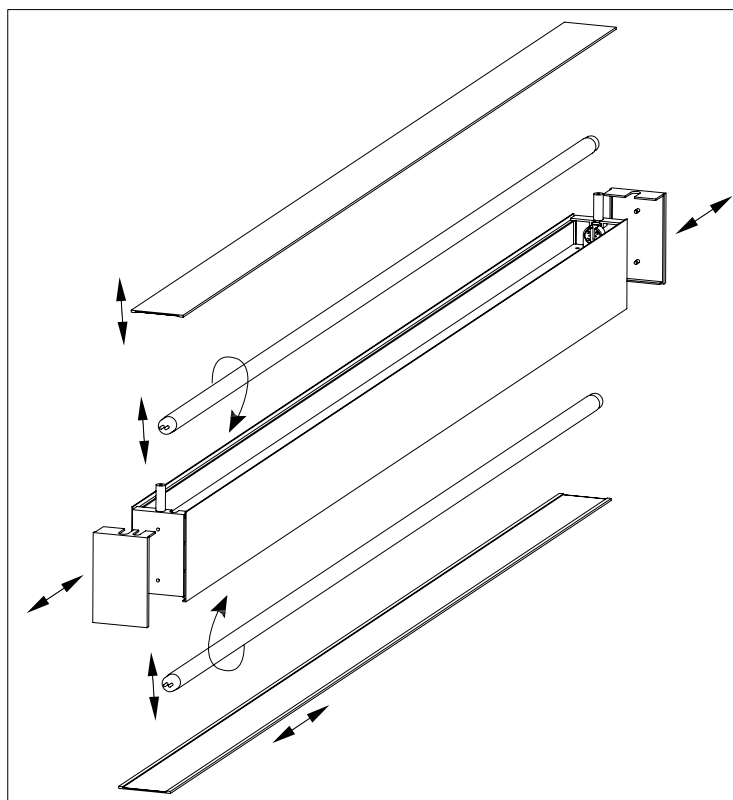
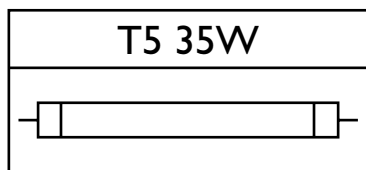
- You have correctly identified the wires.
- The connections are tight.
- No loose strands have been left out of the connection block.

Refit the cover into position, and secure using the screw.

Replace fuse or circuit breaker and switch on. Your light is now ready for use.

Fitting / Replacing Bulbs:

Remove the end panels as shown. Lift out the top diffuser and slide out the lower diffuser. Twist 90 degrees and slide out from slots to remove. Refit by locating the pins in the lampholder slots, and twisting 90 degrees to engage the pins with the contacts. When changing a bulb, always switch off at the mains and allow the bulb to cool before handling. Dispose of used bulbs carefully. Do not exceed the wattage stated or use a different shape bulb from that indicated on the fitting. Refit the diffusers back into position, and refit the end panels.



Care and Cleaning:

Finish - We recommend cleaning with a soft dry cloth. Do not use abrasive materials as these will damage the finish.

Safety Information:

For your safety, always switch off the supply before changing lightbulbs, cleaning or removing shades.



Saxby Lighting Ltd. NW10 7UL